

# ZYXEL

## VMG4005-B50B

VDSL2 17a Bonding and 35b  
Single Line Bridge



### Quick Start Guide

See the User's Guide at [www.zyxel.com](http://www.zyxel.com) for more information, including customer support and safety warnings.

#### EU Importer

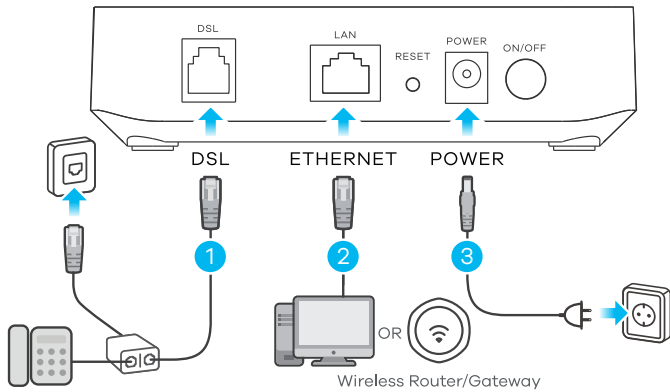
Zyxel Communications A/S  
Gladsaxevej 378, 2. th. 2860 Søborg, Denmark.  
<http://www.zyxel.dk>

#### US Importer

Zyxel Communications, Inc  
1130 North Miller Street Anaheim, CA 92806-2001  
<http://www.us.zyxel.com>

Copyright © 2019 Zyxel Communications Corp. All Rights Reserved.

### Hardware Installation



- EN** ① Use the gray phone cable to connect the DSL port to a DSL splitter or directly to the telephone wall outlet.
- ② Connect a computer or Wireless Router/Gateway to the LAN port using the yellow Ethernet cable.
- ③ Connect the power adapter and press the power button.
- ④ Check the LEDs.

POWER	Green	<b>Blinking</b> - Booting stage, device is getting ready for use.
	On	- Device is ready for use.
DSL	Red	<b>Blinking</b> - Firmware upgrade is ongoing.
	On	- System failure.
	Green	<b>On</b> - VDSL/ADSL link is up.
		<b>Blinking (slow)</b> - Link is down and trying to detect carrier signal.
		<b>Blinking (fast)</b> - Initializing the link.

### Troubleshooting

#### The VMG4005-B50B doesn't turn on.

- Make sure you are using the power adapter included with the VMG4005-B50B.
- Make sure the power adapter is connected to an appropriate power source.
- Make sure the power source is turned on.

#### I cannot access the Internet.

- Check the hardware connections and the LED behavior.
- If the DSL LED is off, consult your service provider.
- Disconnect all the cables from your VMG4005-B50B and reconnect them.

### Safety Warnings

- Humid, dusty and extreme environment in which place the product and obstructing the device ventilation slots are prohibited, any kind of conditions above may harm your device.
- There is a remote risk of electric shock from lightning.
  - Do not use the device outside, and make sure all the connections are indoors.
  - Do not install, use, or service this device during a thunderstorm.
- Connect only suitable accessories to the device; make sure to connect the cables to the correct ports.
- Do not open the device, opening or removing covers can expose you to dangerous high voltage points or other risks. Please contact your vendor for further information.
- Place connecting cables carefully so that no one will step on them or stumble over them and disconnect all cables from this device before servicing or disassembling.
- Please use the provided or designated connection cables/power cables/adaptors. Connect it to the right supply voltage (for example, 110V AC in North America or 230V AC in Europe). If the power adaptor or cord is damaged, it might cause electrocution. Remove it from the device and the power source, repairing the power adaptor or cord is prohibited. Contact your local vendor to order a new one.
- Please refer to the device back label, datasheet or box specifications catalog information for rated power of device and operating temperature.
- The socket-outlet shall be installed near the device, and shall be easily accessible because it serves as the main disconnecting device.

### European Union - Disposal and Recycling Information

The symbol below means that according to local regulations your product and/or its battery shall be disposed of separately from domestic waste. If this product is end of life, take it to a recycling station designated by local authorities. At the time of disposal, the separate collection of your product and/or its battery will help save natural resources and ensure that the environment is sustainable development.

