



VMG4005-B50B

VDSL2 17a Bonding and 35b Single Line Bridge

The Zyxel VMG4005-B50B is a VDSL2 pair-bonding modem capable of up to 17a bonding speeds at 200Mbps downstream and 100Mbps upstream as well as profile 35b of up to 300Mbps for single-pair broadband services. Available with the bridged mode, the Zyxel VMG4005-B50B VDSL2 pair-bonding modem ensures smooth communications from the central office to remote subscribers over the service provider's existing copper network.

The Zyxel VMG4005-B50B VDSL2 pair-bonding modem extends coverage and enhances performance for exceptional user experiences while service providers can manage and maintain the Internet connections with TR-069 to monitor and manage the modem functions. Subscribers can take advantage of the increased bandwidth for broadband applications like Internet browsing, online gaming, video streaming and Internet voice calling.



VDSL2 17a Bonding technology allows ISPs to double the speed of their existing customer connection



VDSL2 supports super vectoring up to profile 35b



Auto provisioning and remote management through TR-069



Embedded bridge mode

Benefits

Bonded VDSL2 with G.vector

The VMG4005-B50B supports VDSL2 bonding with vectoring of up to profile 17a and 35b. The vectoring support reduces cross-talk to increase performance and range by up to 150% for operators.

TR-069 remote management

With TR-098/TR-181 data model for TR-069 standard management specifications, service providers are able to manage, configure and diagnose the client devices remotely without manual intervention of subscriber.

This unique feature offers a true “plug-and-play” experience and reduces the complexity of deployment, therefore saving operation and maintenance costs for service providers.

Specifications

System specifications

Bridge features

- IEEE 802.1D transparent bridge & basic spanning tree
- PPPoE (RFC 2516)
- PPPoA (RFC 2364)

Management

- Web/HTTP: 3 level log-in
- CLI (Command Line Interpreter) via SSH or Telnet
- Firmware upgrade via Web/TFTP/FTP/TR069 RPC method
- Text based configuration (XML based)
- Configuration backup/update/restore default via Web
- Configurable access control for remote management (Interface and / port number)
- Trust domain (support trust domain list)
- NTP (Internet Time automatically synchronize)
- DSL forum TR-069, TR-098, TR181
- SNMP v1, v2
- Rom-D support
- Session login. (for multiple user configuration with login privilege.)
- Configuration filter by login privileges

Hardware specifications

VDSL

- G.993.2 VDSL2, Band 997, 998, over POTS
- Support VDSL profiles: 8a/b/c/d, 12a/b, 17a, and 35b
- G.vector

ADSL

- G.992.1 (G.dmt)
- G.992.2 (G.lite)
- ANSI T1.413 compliant
- G.992.3 (ADSL2)
- G.992.5 (ADSL2+)
- G.INP support

LAN

- One 1GbE RJ-45 port

Status LED indicators

- Power
- VDSL#1
- VDSL#2
- LAN

Button

- Reset

Power consumption

- 12 V DC/1 A

Physical specifications

- Item dimensions (WxDxH): 130 x 120 x 32 mm (5.11" x 4.72" x 1.25")
- Item weight: 173 g (0.38 lb.)
- Packing dimensions (WxDxH): 234 x 140 x 38.5mm (9.21" x 5.51" x 1.51")
- Packing weight: 492 g (1.08 lb.)

Environmental specifications

Operating environment

- Temperature: 0°C to 40°C (32°F to 104°F)
- Humidity: 10% to 90% (Non-condensing)

Storage environment

- Temperature: -30°C to 70°C (-22°F to 158°F)
- Humidity: 10% to 95% (Non-condensing)

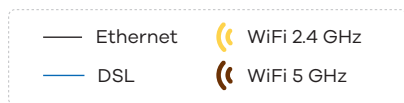
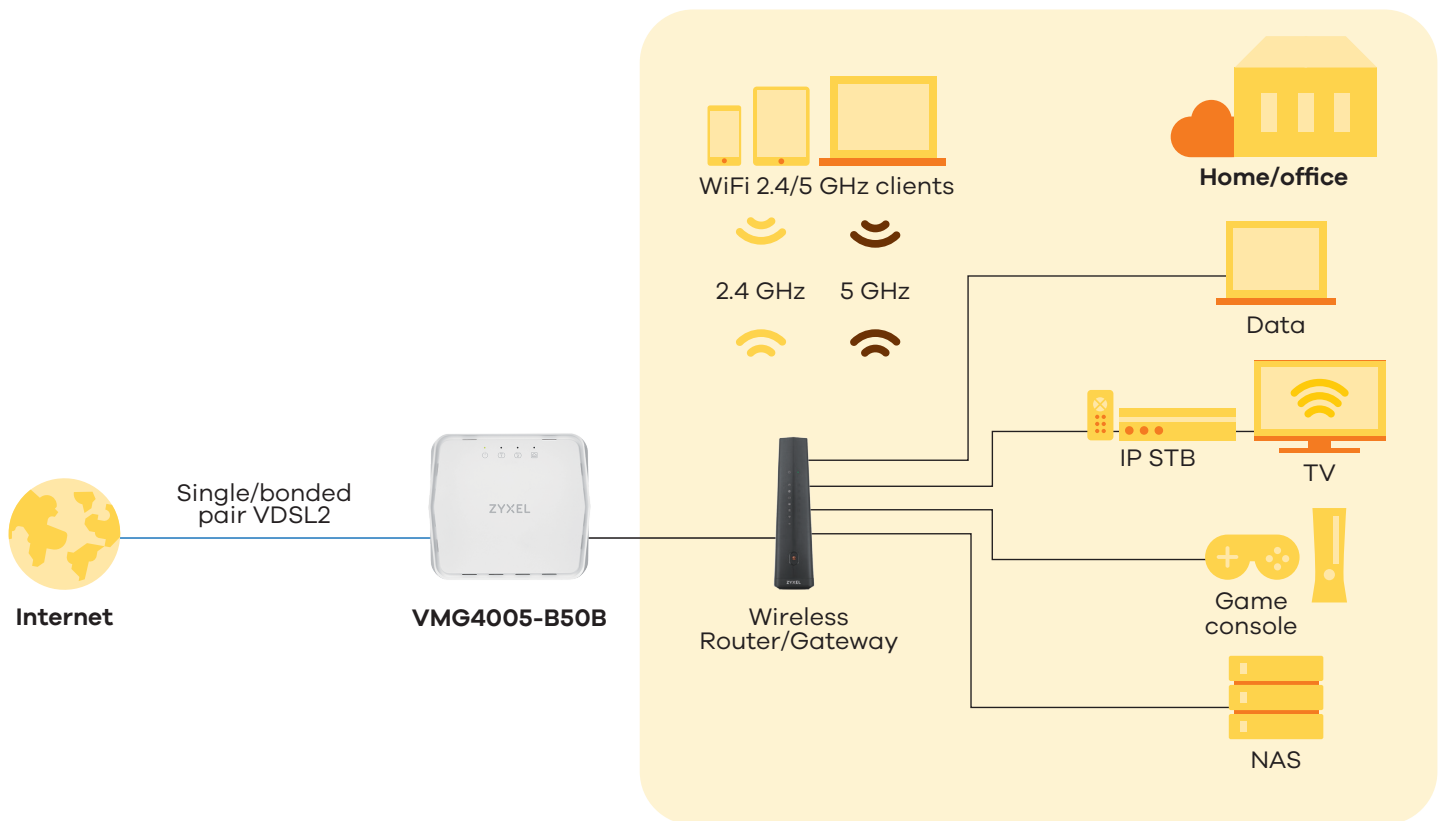
Certification

- FCC/IC

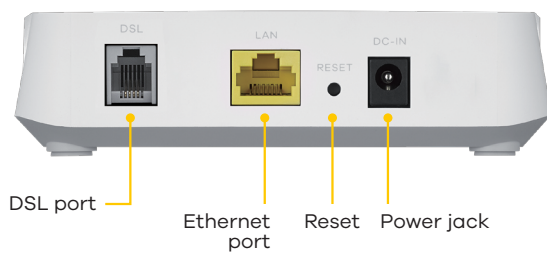
Package contents

- VMG4005-B50B
- Power adapter
- Ethernet cable
- Phone cable
- Quick Start Guide

Application diagram



Interface description





For more product information, visit us on the web at <https://service-provider.zyxel.com>



Copyright © 2021 Zyxel and/or its affiliates. All rights reserved.
All specifications are subject to change without notice.

Datasheet [VMG4005-B50B](#)



23/06/21