



## EX7710-B0

### AX11000 WiFi 6E 10G Ethernet Gateway

The Zyxel EX7710-B0 AX11000 WiFi 6E 10G Ethernet Gateway supports wireless 802.11ax (WiFi 6E) technology for optimized bandwidth utilization to increase network capacity and the number of simultaneous streams, which allows more subscribers to enjoy superior connectivity with extremely low latency. With 10G Ethernet Internet access, giving you delightful wireless experiences in your ultra-connected home.

### Benefits

#### WiFi 6E technology for superior lag-free performance

Supporting the latest WiFi 6E (11ax) standard, the EX7710-B0 delivers speeds up to 4800 Mbps\* with 6 GHz 4x4 802.11ax and 4800 Mbps\* with 5 GHz 4x4 802.11ax and 1200 Mbps\* with 2.4 GHz 4x4 802.11ax. The uplink MU-MIMO, Orthogonal Frequency Division Multiple Access (OFDMA) and beamforming technologies empower EX7710-B0 to deliver premium speed for multi-streaming data access and optimal WiFi experiences without dead zones.

#### Premium MPro Mesh for whole-home WiFi coverage

Featuring the EasyMesh fully compliant Zyxel MPro Mesh Solutions, the EX7710-B0 enhances your subscribers' experience by providing self-adapting, easy-to-manage whole-home WiFi 6E coverage while reducing your service OPEX.

#### TR-069/TR-181 remote management for lower OPEX

Compliant with TR-069/TR-181 standards, the EX7710-B0 significantly simplifies deployment complexity and lowers operating and maintenance costs with its remote management capabilities.



802.11ax (WiFi 6E) tri-band for superior performance and coverage



Zyxel MPro Mesh Solutions (Compliant with EasyMesh Standards)



Remote management via TR-069 and TR-181



Multiple SSIDs for various service deployment scenarios



Support uplink MU-MIMO for increased network capacity



Support OFDMA for maximized network efficiency



In-house developed OPAL realizes the flexibility and faster time to market

## Dedicated 10GbE WAN and LAN port for Multi-Gig internet access

With one 10GbE WAN port, the EX7710-B0 is perfect for extending premium fiber service to subscribers' homes. Besides lightning-fast WiFi 6E technology and the standard four 1GbE LAN ports, the EX7710-B0 is equipped with one additional 10GbE LAN port that satisfies subscribers' bandwidth-intensive needs with optimized bandwidth utilization.

## Zyxel OPAL firmware achieves superior flexibility and shortens time to market

Compliant with the same OPAL firmware trunk applied to all Zyxel CPEs, the EX7710-B0 inherits a rich, field-proven feature set for guaranteed same user experience after migrating to new devices.

## Specifications

### System specifications

#### Wireless standards

- IEEE 802.11 b/g/n/ax 2.4 GHz
- IEEE 802.11 a/n/ac/ax 5 GHz
- IEEE 802.11 ax 6 GHz

#### Wireless transfer rates

- Transmit:
  - 802.11ax (2.4 GHz): up to 1148 Mbps
  - 802.11ax (5 GHz): up to 4804 Mbps
  - 802.11ax (6 GHz): up to 4804 Mbps

#### Wireless features

- Auto channel selection
- WMM
- WPA2-PSK
- WPA3-SAE
- Wireless output power management
- Multiple SSID up to 4
- WiFi Protected Setup (WPS)
- Intra-BSS traffic block
- MAC address filtering
- WPS 2.0
- MPro Mesh

#### Firewall

- IPv4/IPv6 firewall (Stateful Packet Inspection)
- Denial-of-Service (DoS) attack prevention
- ICMP blocking

#### Routing

- IPv4/IPv6
- NAT
- Port forwarding
- WAN connection type: DHCP, PPPoE
- DHCP option 60/121/125
- DHCP server on LAN
- IGMP v2/v3
- IGMP proxy
- Dynamic DNS
- QoS support

#### VLAN

- 802.1q tag/tag based VLAN
- VLAN to ETH port mapping
- Bridged/routed VLAN support

#### Management

- Web GUI (HTTP/HTTPS)
- TR-069/TR-098/TR-181
- Firmware upgrade through GUI/TR-069
- 2-tier level access and administration
- CAF II TR143 speed test support

### Hardware specifications

#### WAN

- One 1/2.5/10 GbE RJ-45 port

#### LAN

- One 1/2.5/10 GbE RJ-45 port
- Four 1GbE RJ-45 ports

#### Wireless

- 2.4 GHz: 4x4 internal antenna
- 5 GHz: 4x4 internal antenna
- 6 GHz: 4x4 internal antenna

#### USB

- One USB 3.0 host

#### LEDs indicators

- Power
- Internet
- WiFi
- WPS

#### Button

- WPS
- Reset

### Power consumption

- 12 V DC/3.5 A
- 42 Watt max

### Physical specifications

- Item dimensions (WxDxH): 110 x 110 x 240 mm (4.33" x 4.33" x 9.45")
- Item weight: 1006 g (2.22 lb.)
- Packing dimensions (WxDxH): 278 x 175 x 120 mm (10.94" x 6.89" x 4.72")
- Packing weight: 1520 g (3.35 lb.)

### Environment specification

#### Operating environment

- Temperature: 0°C to 40°C (32°F to 104°F)
- Humidity: 10% to 90% RH (non-condensing)

#### Storage environment

- Temperature: -30°C to 70°C (-22°F to 158°F)
- Humidity: 10% to 95% RH (non-condensing)

### Certification

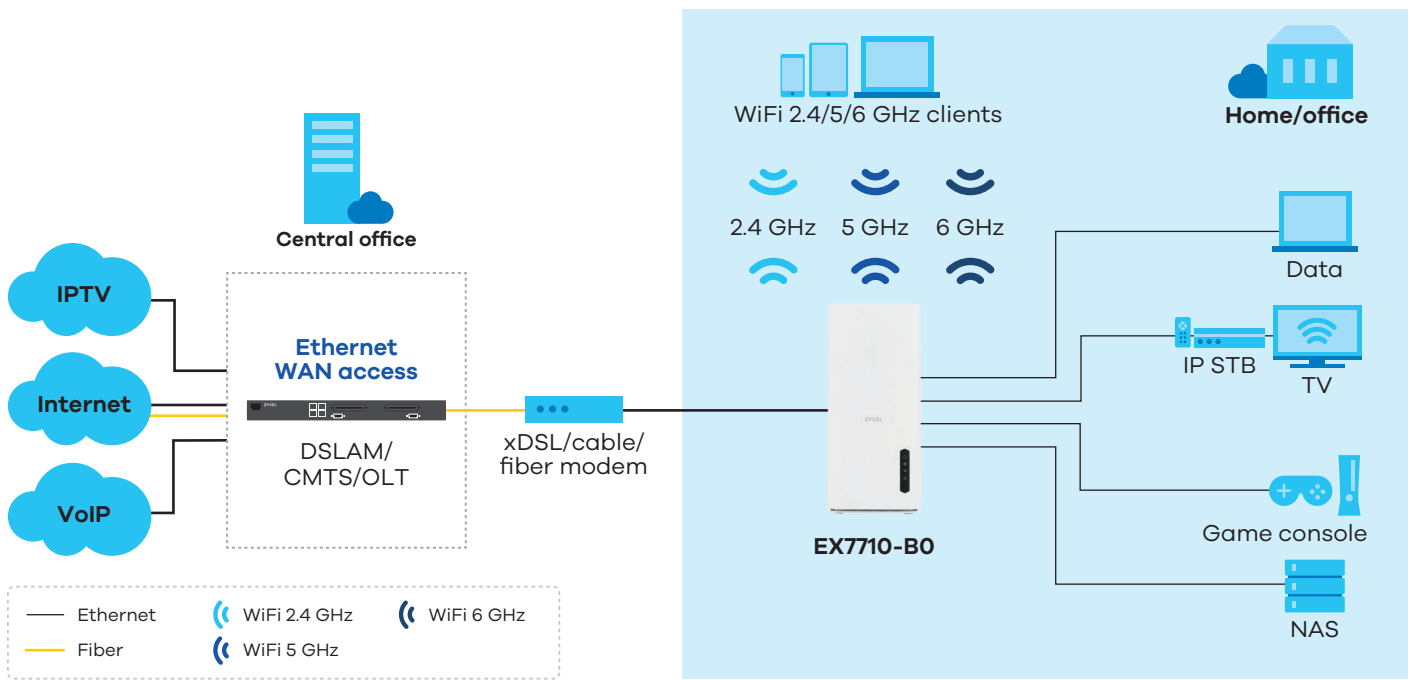
- FCC
- IC

### Package contents

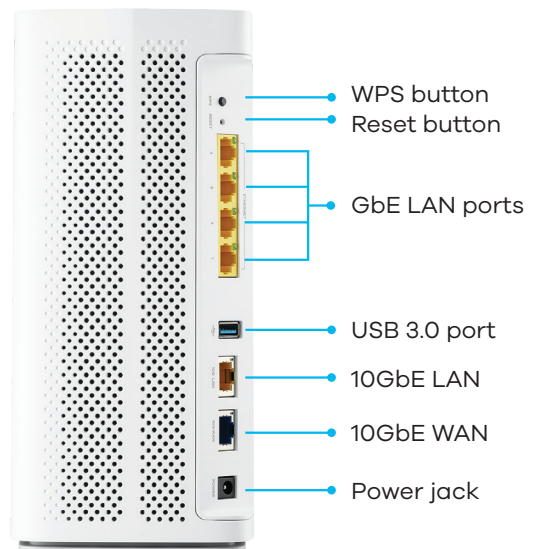
- Ethernet gateway
- Power adapter
- Ethernet cable
- Quick Start Guide

\* The maximum wireless data transfer rate is derived from IEEE Standard 802.11 specifications. Actual data transfer rate will vary from network environment including: distance, network traffic, building site materials/construction, interference from other wireless devices, and other adverse conditions.

## Application diagram



## Hardware interface





For more product information, visit us on the web at <https://service-provider.zyxel.com>



Copyright © 2023 Zyxel and/or its affiliates. All rights reserved.  
All specifications are subject to change without notice.

Datasheet [EX7710-B0](#)



17/04/23