

Package Contents



EX5510-B0



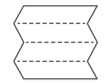
Mounting Base



Power Adapter



Ethernet Cable



Quick Start Guide

Mounting Kit



x2



x2

Screw Anchors Tapping Screw
M4x30 mm

See the User's Guide at www.zyxel.com for more information, including customer support and safety warnings.

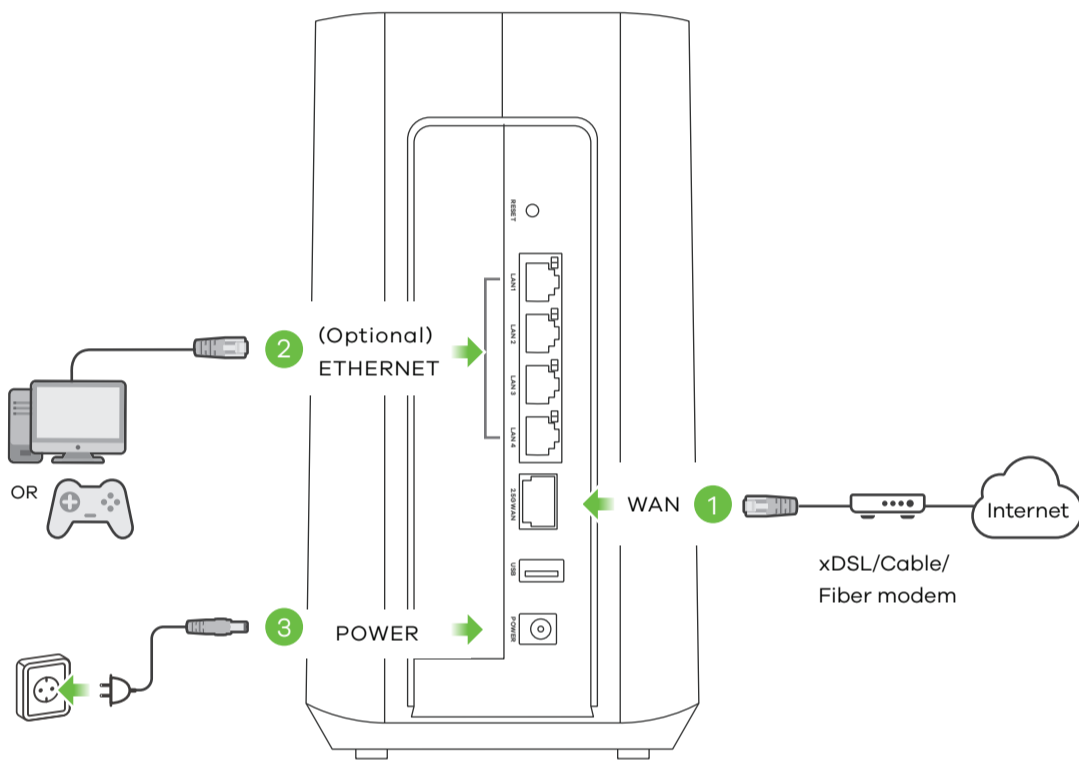
US Importer

Zyxel Communications, Inc
1130 North Miller Street Anaheim, CA 92806-2001
<http://www.us.zyxel.com>

Copyright © 2019 Zyxel Communications Corp. All Rights Reserved.

Quick Start Guide

Step 1 Hardware Installation

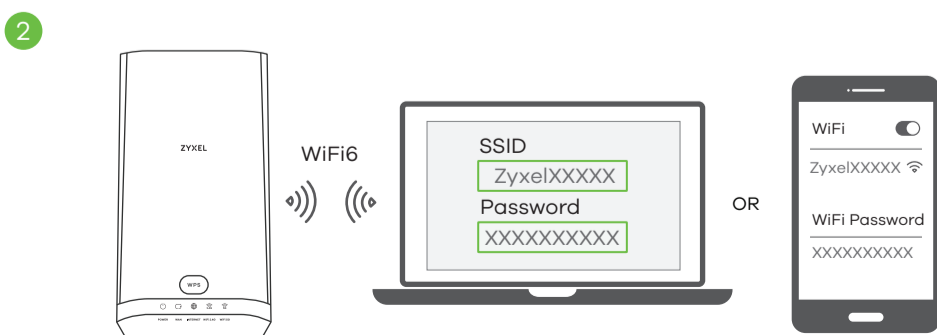
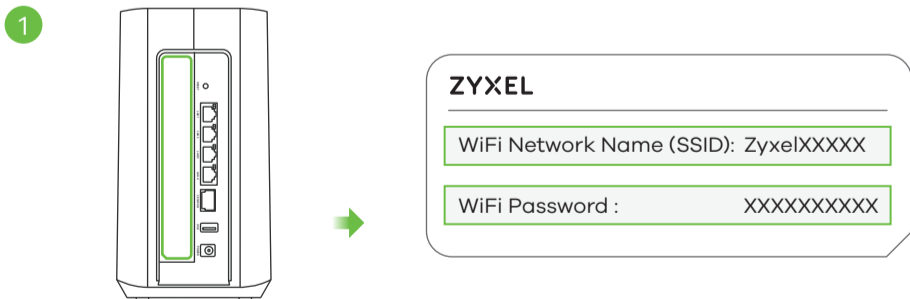


POWER	Green	On - Power is on. Blinking - Starting up.
	Red	On - System failure. Blinking - Upgrading firmware.
INTERNET	Green	On - Internet is ready. Blinking - Transmitting/receiving Internet data.
	Red	On - Attempted to get an IP address, but failed. Go to the Quick Start Wizard.

- EN**
- Use the Ethernet cable to connect the WAN port to an xDSL/Cable/Fiber modem with Internet access.
 - Connect a computer to the LAN port using an Ethernet cable (optional).
 - Connect the power adapter.

Step 2 WiFi / WiFi6 Connection - A or B

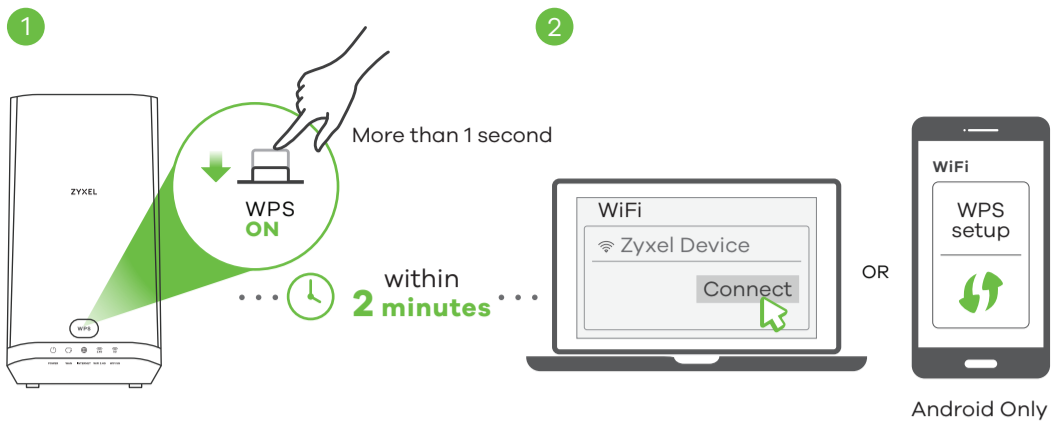
A: Using SSID



EN A: Using SSID

- Use the **SSID** and **WiFi Password** on the device label to connect wirelessly to the Zyxel Device.
- On your smartphone or notebook, find this **SSID**. Enter the **WiFi Password** to connect.

B: Using WPS

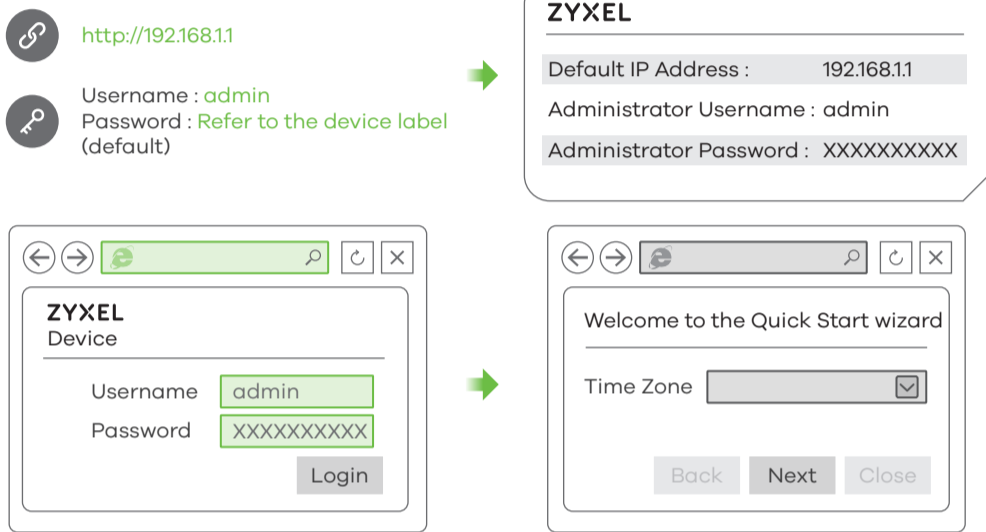


2.4G	Green	On - 2.4G WiFi is ready. Blinking - Transmitting/receiving data.
5G	Green	On - 5G WiFi is ready. Blinking - Transmitting/receiving data.
WPS	Green	Blinking - WiFi connection using WPS in progress.

EN B: Using WPS

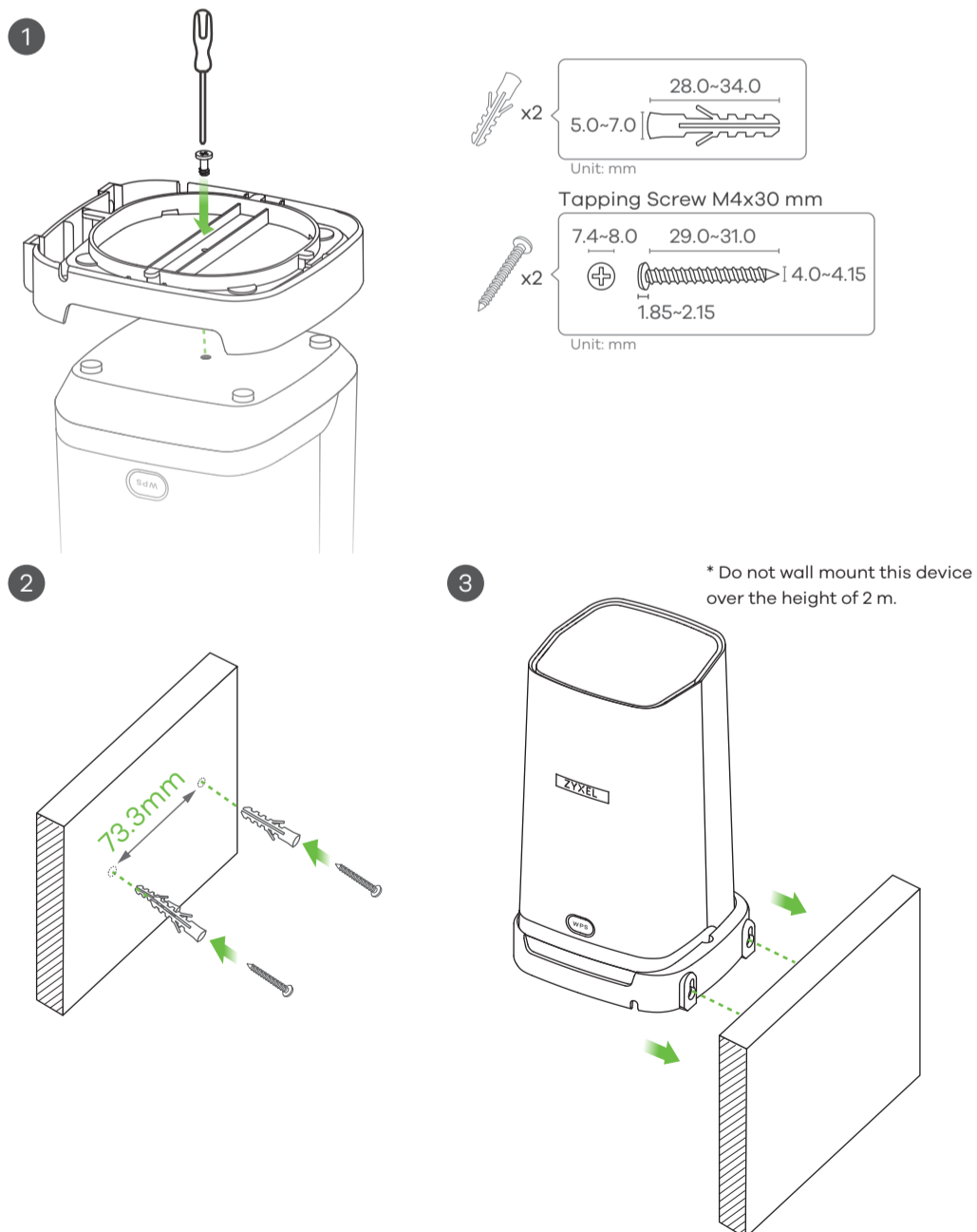
- 1 The WiFi 2.4G and 5G LEDs light up in green when a 2.4G and/or 5G wireless network is ready. Press the **WPS** button until the **WPS** LED blinks green.
- 2 Press the WPS button on the client. If the WPS method fails, use the **SSID** and **WiFi Password** to set up a WiFi connection.

Quick Start Wizard (Optional)



- EN Open a web browser and go to <http://192.168.1.1>. Enter the default **Username** (admin) and admin login **Password** (on the device label), and then click **Login**. A wizard runs. Follow the wizard prompts to set the time zone, Internet and WiFi settings.

Wall Mounting (Optional)



- EN
- 1 Attach the base to the housing as shown using the provided screw.
 - 2 Drill two holes on the wall at a distance of 73.3 mm apart. Insert the screw anchors and screws.
 - 3 Place the Zyxel Device so the wall mount holes line up with the screws. Hang the Zyxel Device carefully on the screws.