

Band Pilot

Band Pilot Remote Management System

Zyxel Band Pilot is a cloud-based remote management system designed to simplify routine management of Zyxel mobile broadband products. With powerful features like remote troubleshooting, RF performance history tracking, remote firmware upgrades, and TR-143 speed tests, service providers can significantly reduce service expenses while enhancing customer satisfaction.

Benefits

Cloud-based management system with intuitive user interface

Zyxel Band Pilot, a cloud-based management system, gives service providers centralized control over Zyxel mobile broadband devices from any location. The intuitive user interface simplifies routine network configuration and management. You can view the status of the overall network or specific devices using customized parameters.



Cloud-based management system with intuitive user interface



Network performance monitoring and historical data tracking



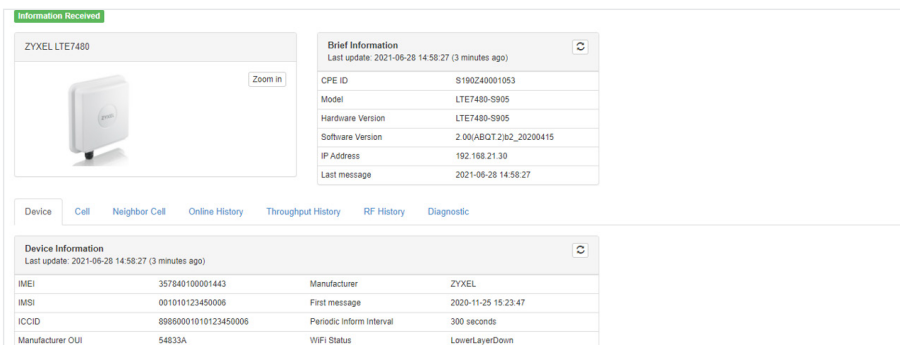
Remote management via TR-069/TR-181 and throughput testing via TR-143



Georeferencing function for real-time device location identification



One-click firmware upgrade

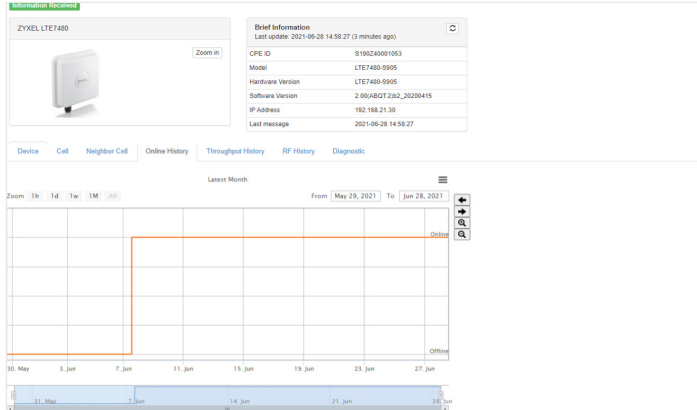


Overview

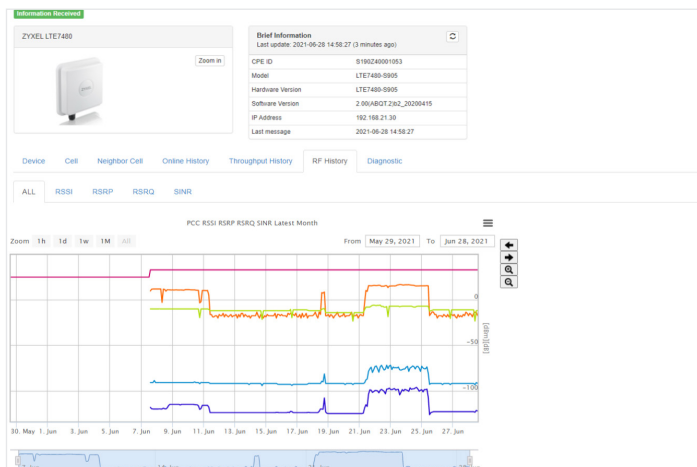
Datasheet [Band Pilot](#)

Efficient network performance management

Zyxel Band Pilot allows service providers to efficiently deliver reliable, satisfying broadband services. The system tracks device status and critical performance indexes on an hourly basis and translates bulky raw data into user-friendly graphics. The georeferencing feature* identifies the location of the device, allowing service providers to remotely diagnose, troubleshoot, and manage the network even before complaints occur.



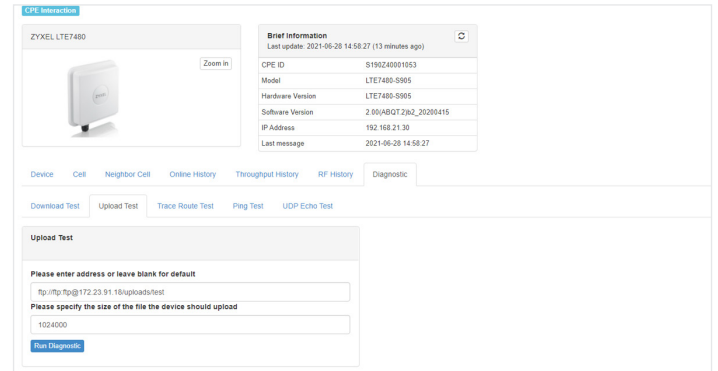
Online device status



RF performance history

Real-time network speed analytics via TR-143

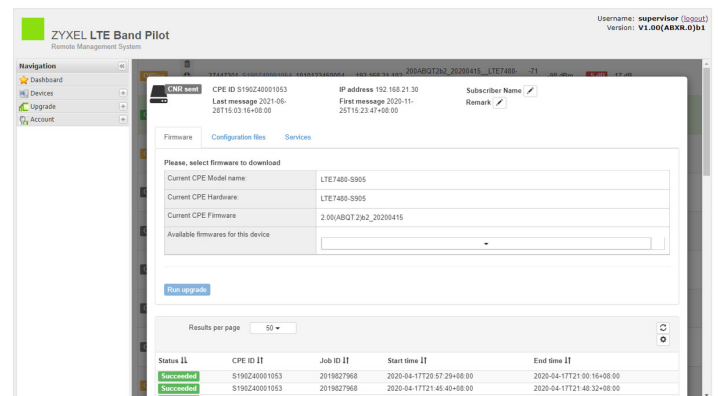
Compliant with TR-143 throughput testing, Zyxel Band Pilot supports real-time analytics for both downlink and uplink speeds. Service providers can ensure quality broadband service by actively monitoring the connection speed of each Zyxel mobile broadband device.



TR-143 speed test

Flexible firmware upgrade management

With Zyxel Band Pilot, service providers can schedule and run individual or batch firmware upgrades and backup or restore configurations from their customer support office located anywhere.



Firmware upgrade

Specifications

System specifications

Performance specifications

- Supports TR-069 with TR-181 data model
- Supports TR-143 diagnostic functions
- Supports TR-111 (STUN) for passing NAT
- Supports dashboard for managed device statistics
- Supports managed device grouping and sorting by various parameter options
- Supports system information inquiry of managed devices
- Supports managed devices' online status and historical indexes of RF performance
- Supports batch schedule firmware upgrade
- Supports single device firmware upgrade and configuration backup, restore, and comparison

Work with products**

- 4G LTE:
 - LTE7485-S905
 - LTE7480-S905
 - LTE5388-M804
 - LTE5388-S905
 - LTE5398-M904
 - LTE7461-M602
 - LTE3202-M430
 - LTE3202-M437
 - LTE7480-M804
 - LTE7490-M904
 - LTE7240-M403
 - LTE3316-M604
- 5G NR:
 - NR5101
 - NR5103
 - NR5203
 - NR7101/7102/7103 Series
 - NR7123
 - NR7203
 - NR7223
 - NR7301

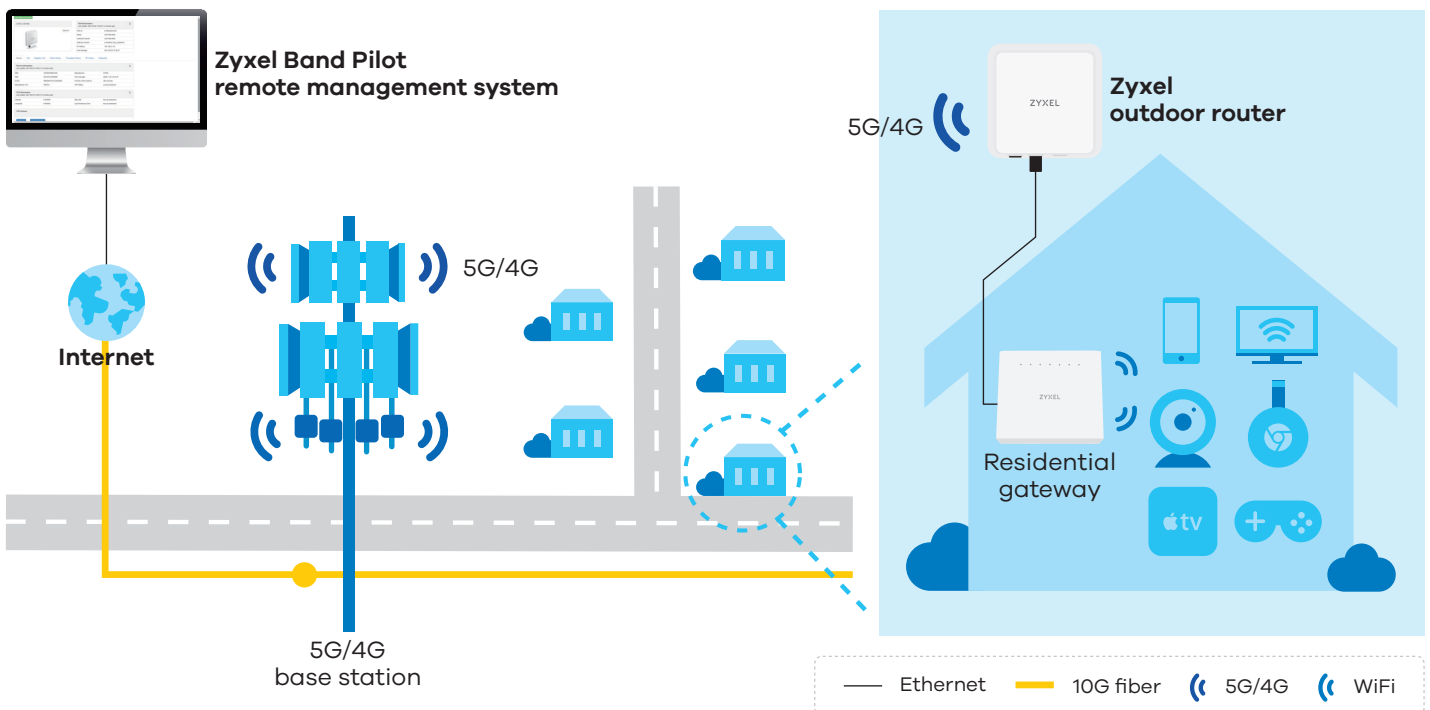
System requirements

- Supported browsers
 - Google Chrome: latest two version
 - Internet Explorer: version 10 or later
 - Apple Safari
 - Mozilla Firefox

* Please contact us for map function availability.

** Please contact us for the latest list of support models.

Application diagram





For more product information, visit us on the web at <https://service-provider.zyxel.com>



Copyright © 2021 Zyxel and/or its affiliates. All rights reserved.
All specifications are subject to change without notice.

Datasheet [Band Pilot](#)